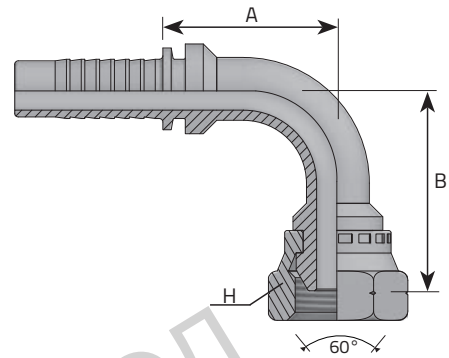




## METRIC FEMALE - 90° ELBOW (1)

FEMMINA 90° METRICA SV 60°  
 FEMELLE 90° MÉTRIQUE CÔNE 60°  
 DKM 90° BOGEN 60° KONUS  
 HEMBRA GIRATORIA A 90° MÉTRICA CONO 60°



	Code	Tube		Thread	Dimensions			Pressure		
		D.N.	Hose		Diam	T	H	B	A	Bar
Inch			Inch	mm	mm	mm	mm	mm		
	F90M0310	-3	3/16"	4.8	M10 x 1	15	29	23	350	5076
	<b>F90M0312</b>	-3	<b>3/16"</b>	<b>4.8</b>	<b>M12 x 1.5</b>	<b>17</b>	<b>29</b>	<b>23</b>	<b>350</b>	<b>5076</b>
	F90M0410	-4	1/4"	6.4	M10 x 1	15	29	23	350	5076
	<b>F90M0412</b>	-4	<b>1/4"</b>	<b>6.4</b>	<b>M12 x 1.5</b>	<b>17</b>	<b>29</b>	<b>23</b>	<b>350</b>	<b>5076</b>
	F90M0414	-4	1/4"	6.4	M14 x 1.5	19	29	23	350	5076
	<b>F90M0416</b>	-4	<b>1/4"</b>	<b>6.4</b>	<b>M16 x 1.5</b>	<b>22</b>	<b>32</b>	<b>23</b>	<b>350</b>	<b>5076</b>
	F90M0418	-4	1/4"	6.4	M18 x 1.5	22	32	23	350	5076
	<b>F90M0514</b>	-5	<b>5/16"</b>	<b>7.9</b>	<b>M14 x 1.5</b>	<b>19</b>	<b>33.5</b>	<b>31.5</b>	<b>350</b>	<b>5076</b>
	F90M0516	-5	5/16"	7.9	M16 x 1.5	22	35.5	31.5	350	5076
	<b>F90M0518</b>	-5	<b>5/16"</b>	<b>7.9</b>	<b>M18 x 1.5</b>	<b>22</b>	<b>35.5</b>	<b>31.5</b>	<b>350</b>	<b>5076</b>
	F90M0614	-6	3/8"	9.5	M14 x 1.5	19	37	33	350	5076
	<b>F90M0616</b>	-6	<b>3/8"</b>	<b>9.5</b>	<b>M16 x 1.5</b>	<b>22</b>	<b>38</b>	<b>33</b>	<b>350</b>	<b>5076</b>
	F90M0618	-6	3/8"	9.5	M18 x 1.5	22	38	33	350	5076
	<b>F90M0620</b>	-6	<b>3/8"</b>	<b>9.5</b>	<b>M20 x 1.5</b>	<b>27</b>	<b>42</b>	<b>33</b>	<b>315</b>	<b>4568</b>
	F90M0622	-6	3/8"	9.5	M22 x 1.5	27	42	33	315	4568
	<b>F90M0818</b>	-8	<b>1/2"</b>	<b>12.8</b>	<b>M18 x 1.5</b>	<b>24</b>	<b>43</b>	<b>39</b>	<b>315</b>	<b>4568</b>